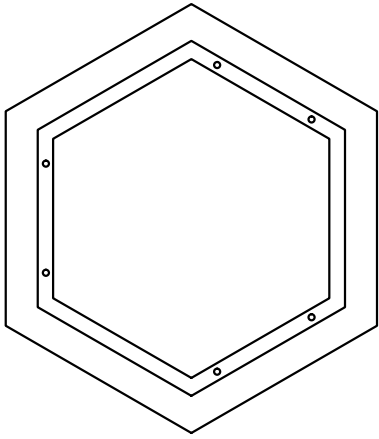
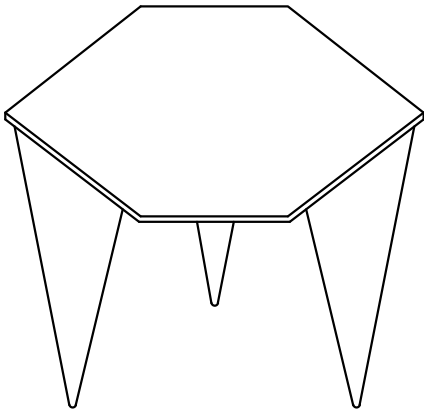


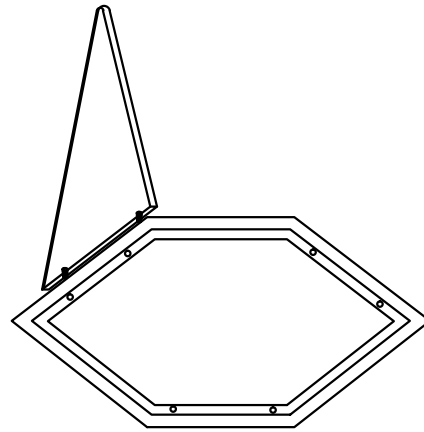
ASSEMBLY INSTRUCTION -2300096 SIDE TABLE



STEP-1



STEP-2



STEP-3

S.NO.	COMPONENT	QTY.
1.	WOODEN TOP	01
2.	LEG	03
3.	BOLT	06
4.	TOOL FOR FIXING	01

